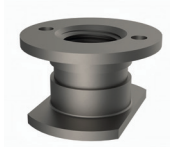
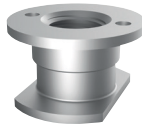


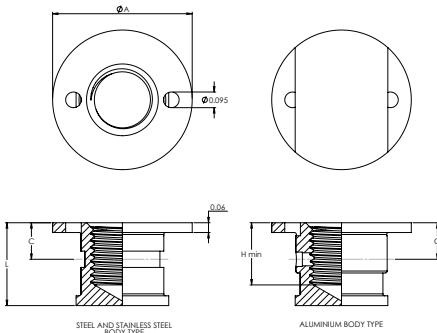
Cross Reference

Clarendon Made	NAS Standards	SFS	The Young Engineers	Shur Lok
CM1832	NAS1832	EF1832	TYE2002	SL601

Type 1

 Steel and
Stainless Steel

Type 2


Aluminium


Table 1

Code	Thread	Ø A	C	L (min)	H (min)	Tab
06	.1380-32 UNJC - 3B	0.560	0.12	0.37	0.25	T3
08	.1640-32 UNJC - 3B					
3	.1900-32 UNJF - 3B					
4	.2500-28 UNJF - 3B	0.685	0.14	0.50	0.31	T6
5	.3125-24 UNJF - 3B		0.16			
6	.3750-24 UNJF - 3B	0.841	0.22			

Dimension in INCH

Table 2

Code	Material	Finish	Type
-	CARBON STEEL EN 1.0726	CADMIUM PLATE AMS-QQ-P-416, TYPE II, CLASS 2	Type 1
C	STAINLESS STEEL EN 1.4305	PASSIVATE PER AMS2700, METHOD 1, TYPE 2, CLASS 4	
A	ALUMINIUM 3.1354 T351	ANODISE PER MIL-A-8625 TYPE I, CLASS 1	Type 2

Table 3

Code	Special Finish (Stainless Steel Only)
P	CADMIUM PLATE AMS-QQ-P-416, TYPE II, CLASS 2
S	SILVER PLATE AMS2410

Table 4

Code	Solid Film Lubricant (Internal Threads Only)
M	MOLYKOTE PER AS5272, TYPE 1

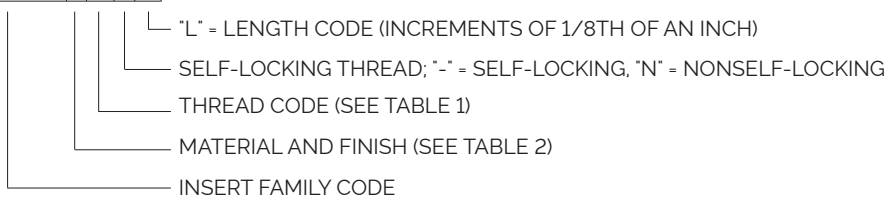
Table 5

Length Code	L
3	0.375
4	0.500
5	0.625
6	0.750
7	0.875
8	1.000
9	1.125
10	1.250

Note: Inserts can be produced at any length, please contact the sales team for more information.

PART NUMBER CALL OUT

NAS1832
CM1832-4-6



PART NUMBER CALL OUT: CM1832-CARBON STEEL-CADMIUM PLATE-.2500-28-SELF-LOCKING-.750"